

Agilent 4287A RF LCR Meter 1 MHz - 3 GHz

Data Sheet



Specifications

Specifications describe the instrument's warranted performance over the temperature range of 5 °C to 40 °C (except as noted). Supplemental performance characteristics are intended to provide helpful information for using certain non-warranted performance parameters with the instrument. These are denoted as SPC (supplemental performance characteristics), typical, or nominal. Warmup time must be greater than or equal to 30 minutes after power on for all specifications.

Basic Measurement Characteristics

Measurement parameters

Impedance parameters	$ Z $, $ Y $, L_s , L_p , C_s , C_p , R_s , R_p , X , G , B , D , Q , θ_z [°], θ_z [rad], θ_y [°], θ_y [rad] (A maximum of four parameters can be displayed at one time.)
----------------------	--

Measurement range

Measurement range	200 m Ω to 3 k Ω (Frequency = 1 MHz, Averaging factor = 8, Oscillator level ≥ -33 dBm, Measurement uncertainty $\leq \pm 10$ %, Calibration is performed within $23\text{ }^\circ\text{C} \pm 5\text{ }^\circ\text{C}$, Measurement is performed within $\pm 5\text{ }^\circ\text{C}$ from the calibration temperature
-------------------	---

Source characteristics

Frequency

Range	1 MHz to 3 GHz
Resolution	100 kHz
Uncertainty	± 10 ppm ($23\text{ }^\circ\text{C} \pm 5\text{ }^\circ\text{C}$) ± 20 ppm ($5\text{ }^\circ\text{C}$ to $40\text{ }^\circ\text{C}$)

Basic Measurement Characteristics

Oscillator level

Range	
Cable length: 1m	
Power (when 50 Ω LOAD is connected to the test port)	–40 dBm to 1 dBm (Frequency \leq 1 GHz) –40 dBm to 0 dBm (Frequency > 1 GHz ^{*1})
Current (when SHORT is connected to the test port)	0.0894 mA _{rms} to 10 mA _{rms} (Frequency \geq 1 GHz) 0.0894 mA _{rms} to 8.94 mA _{rms} (Frequency > 1 GHz ^{*1})
Voltage (when OPEN is connected to the test port)	4.47 mV _{rms} to 502 mV _{rms} (Frequency \geq 1 GHz) 4.47 mV _{rms} to 447 mV _{rms} (Frequency > 1 GHz ^{*1})
Cable length: 2m	(when Option 4287A-020 is used)
Power	Subtract the following attenuation from the power (setting value) at 1 m cable length: Attenuation [dB] = $0.37 \times \sqrt{F}$ (F: Frequency [GHz])
Resolution	0.1 dB ^{*2}
Uncertainty	
Cable length: 1 m	
Power (when 50 Ω LOAD is connected to the test port)	
Frequency \leq 1 GHz	± 2 dB (23 \pm 5 °C) ± 4 dB (5 °C to 40 °C)
Frequency > 1 GHz	± 3 dB (23 \pm 5 °C) ± 5 dB (5 °C to 40 °C)
Cable length: 2 m	(when Option 4287A-020 is used)
Power	Add 1 dB to the uncertainty at 1 m cable length.

Output Impedance

Output impedance	50 Ω (nominal)
------------------	----------------

- *1. It is possible to set more than 0 dBm (447 mV, 8.94 mA) oscillator level at frequency > 1 GHz. However, the characteristics at this setting are not guaranteed.
*2. When the unit is set at mV or mA, the entered value is rounded to 0.1 dBm resolution.

Basic Measurement Characteristics

Measurement accuracy

Conditions of accuracy specifications

Temperature	23 ± 5 °C
Accuracy-specified plane	7-mm connector of 3.5-mm-7-mm adapter connected to 3.5-mm terminal of test heads

Measurement uncertainty

When OPEN/SHORT/LOAD calibration is performed:	
Z , Y	± (E _a + E _b) [%]
q	± $\frac{(E_a + E_b)}{100}$ [rad]
L, C, X, B	± (E _a + E _b) × √(1 + D _x ²) [%]
R, G	± (E _a + E _b) × √(1 + Q _x ²) [%]
D	
at $\left D_x \tan \left(\frac{E_a + E_b}{100} \right) \right < 1$	± $\frac{(1 + D_x^2) \tan \left(\frac{E_a + E_b}{100} \right)}{1 \pm D_x \tan \left(\frac{E_a + E_b}{100} \right)}$
at D _x ≤ 0.1	± $\frac{E_a + E_b}{100}$
Q	
at $\left Q_x \tan \left(\frac{E_a + E_b}{100} \right) \right < 1$	± $\frac{(1 + Q_x^2) \tan \left(\frac{E_a + E_b}{100} \right)}{1 \pm Q_x \tan \left(\frac{E_a + E_b}{100} \right)}$
at $\frac{10}{E_a + E_b} \geq Q_x \geq 10$	± $Q_x^2 \frac{E_a + E_b}{100}$

When OPEN/SHORT/LOAD/LOW-LOSS C calibration is performed (SPC):	
Z , Y	± (E _a + E _b) [%]

Basic Measurement Characteristics

q	$\pm \frac{E_c}{100}$ [rad]
L, C, X, B	$\pm \sqrt{(E_a + E_b)^2 + (E_c D_x)^2}$ [%]
R, G	$\pm \sqrt{(E_a + E_b)^2 + (E_c Q_x)^2}$ [%]
D	
$\left D_x \tan\left(\frac{E_c}{100}\right) \right < 1$	$\pm \frac{(1 + D_x^2) \tan\left(\frac{E_c}{100}\right)}{1 \pm D_x \tan\left(\frac{E_c}{100}\right)}$
$D_x \leq 0.1$	$\pm \frac{E_c}{100}$
Q	
$\left Q_x \tan\left(\frac{E_c}{100}\right) \right < 1$	$\pm \frac{(1 + Q_x^2) \tan\left(\frac{E_c}{100}\right)}{1 \pm Q_x \tan\left(\frac{E_c}{100}\right)}$
$\frac{10}{E_c} \geq Q_x \geq 10$	$\pm Q_x^2 \frac{E_c}{100}$

Definition of each parameter

$D_x =$	Measurement value of D
$Q_x =$	Measurement value of Q
$E_a =$	(Within ± 5 °C from the calibration temperature. Measurement accuracy applies when the calibration is performed at 23 °C ± 5 °C. When the calibration is performed beyond 23 °C ± 5 °C, the measurement accuracy decreases to half that described.)
Oscillator level ≥ -33 dBm	
Frequency ≥ 1 MHz, ≤ 100 MHz	± 0.65 [%]
Frequency > 100 MHz, ≤ 500 MHz	± 0.8 [%]
Frequency > 500 MHz, ≤ 1 GHz	± 1.2 [%]
Frequency > 1 GHz, ≤ 1.8 GHz	± 2.5 [%]

Basic Measurement Characteristics

Frequency > 1.8 GHz, ≤ 3 GHz	± 5 [%]
Oscillator level < -33 dBm	
Frequency ≥ 1 MHz, ≤ 100 MHz	± 1 [%]
Frequency > 100 MHz, ≤ 500 MHz	± 1.2 [%]
Frequency > 500 MHz, ≤ 1 GHz	± 1.2 [%]
Frequency > 1 GHz, ≤ 1.8 GHz	± 2.5 [%]
Frequency > 1.8 GHz, ≤ 3 GHz	± 5 [%]
$E_b =$	$\pm \left(\frac{Z_s}{ Z_x } + Y_o \cdot Z_x \right) \times 100$ [%] ($ Z_x $: Measurement value of $ Z $)
$E_c =$	$\pm \left(0.06 + \frac{0.08 \times F}{1000} \right)$ [%] (F: Frequency [MHz])
$Z_s =$	(Within ± 5 °C from the calibration temperature. Measurement accuracy applies when the calibration is performed at 23 °C ± 5 °C. When the calibration is performed beyond 23 °C ± 5 °C, the measurement accuracy decreases to half that described.)
Oscillator level ≥ -33 dBm, Averaging factor ≥ 8	± (20 + 0.5 × F) [mΩ] (F: Frequency [MHz])
Oscillator level ≥ -33 dBm, Averaging factor < 7	± (50 + 0.5 × F) [mΩ] (F: Frequency [MHz])
Oscillator level ≥ -33 dBm,	± (100 + 0.5 × F) [mΩ] (F: Frequency [MHz])
$Y_o =$	(Within ± 5 °C from the calibration temperature. Measurement accuracy applies when the calibration is performed at 23 °C ± 5 °C. When the calibration is performed beyond 23 °C ± 5 °C, the measurement accuracy decreases to half that described.)
Oscillator level ≥ -33 dBm, Averaging factor ≥ 8	± (30 + 0.15 × F) [μS] (F: Frequency [MHz])
Oscillator level ≥ -33 dBm, Averaging factor < 7	± (50 + 0.15 × F) [μS] (F: Frequency [MHz])
Oscillator level ≥ -33 dBm,	± (100 + 0.15 × F) [μS] (F: Frequency [MHz])

Basic Measurement Characteristics

NOTE: At the following points, measurement error may exceed the specifications described here due to the 4287A's spurious characteristics:

109.7 MHz, 153.6 MHz, 177.2 MHz, 256.0 MHz, 329.1 MHz, 460.8 MHz, 768.0 MHz

Examples of calculated impedance measurement accuracy

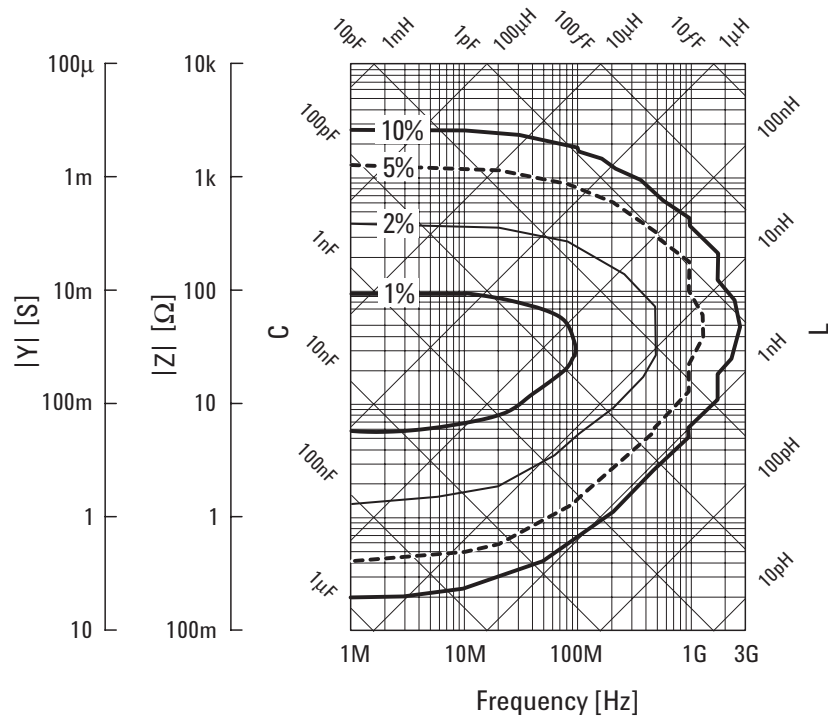


Figure 1. Oscillator level ≥ -33 dBm, averaging factor ≥ 8 , temperature deviation ≤ 5 °C

Basic Measurement Characteristics

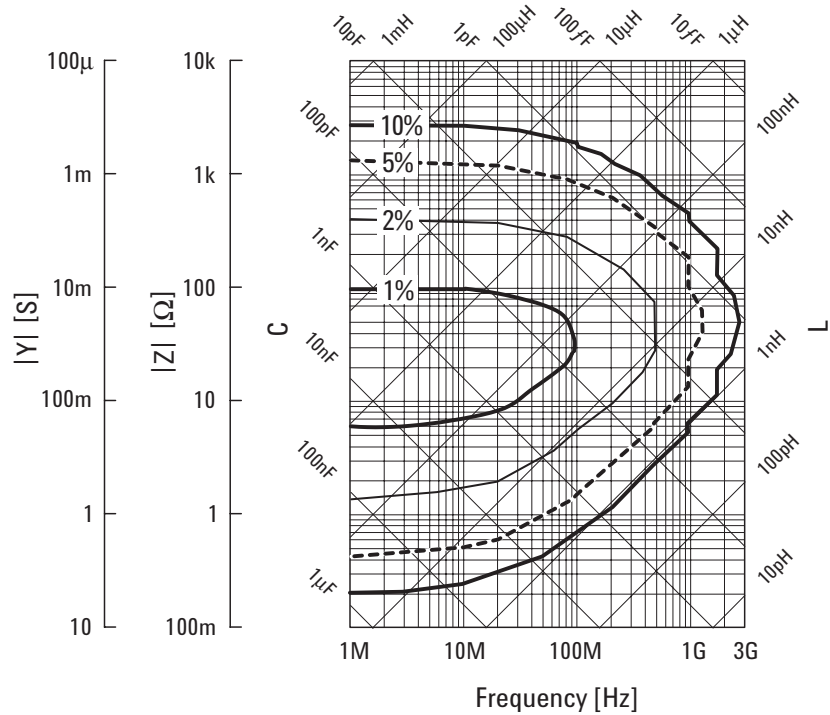


Figure 2. Oscillator level ≥ -33 dBm, averaging factor ≤ 7 , temperature deviation ≤ 5 °C

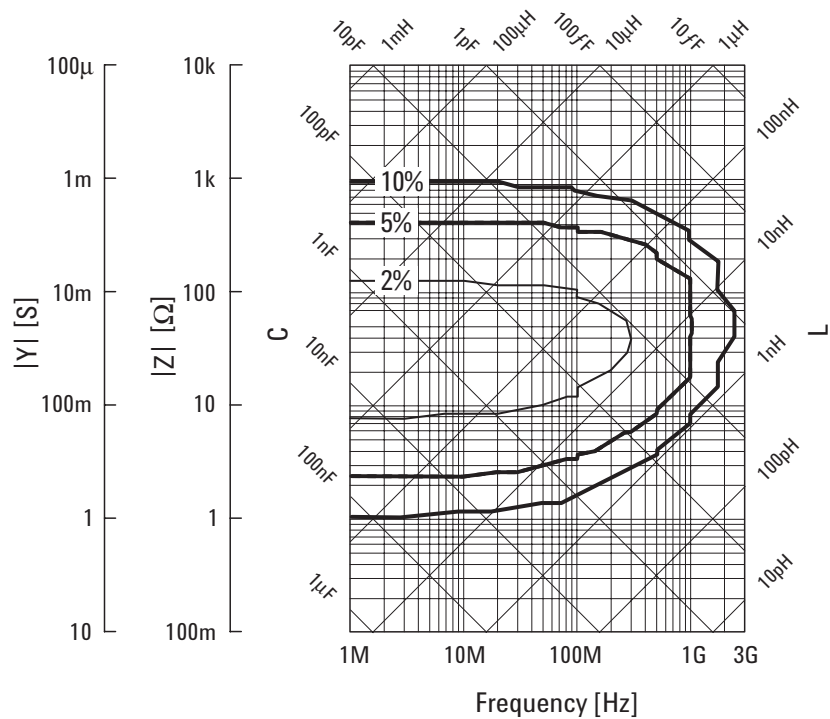


Figure 3. Oscillator level < -33 dBm, temperature deviation ≤ 5 °C

Basic Measurement Characteristics

Timing chart and measurement time (SPC)

Timing chart of handler interface signal (SPC)

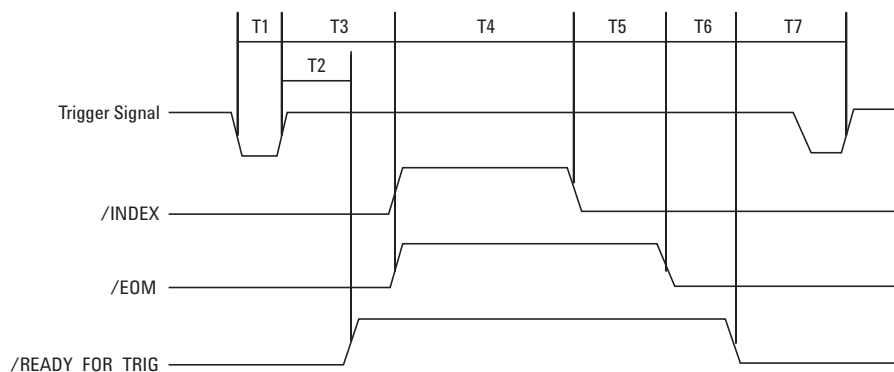


Figure 4. Timing chart of handler interface

Table 1. Value T1 through T7

Name		Time		Conditions (not affected)			
		Min.	Max.	Display	R _{dc} Meas.	Com-parator	Other
T1	Trigger pulse width	2 μs	∞	-	-	-	
T2	Trigger response time (READY_FOR_TRIG)	0.2 ms	1.1 ms	-	-	-	
T3	Trigger response time (INDEX, EOM)	0.2 ms	1.3 ms	-	-	-	
T4	Measurement time	5.6 ms	6.9 ms	-	OFF	-	1 point measurement, Trigger delay time = 0, Measurement delay time = 0
		7.6 ms	8.9 ms	-	ON	-	1 point measurement, Trigger delay time = 0, Measurement delay time = 0
T5	Measurement value calculation time	0.1 ms	0.9 ms	-	-	OFF	
		0.3 ms	1.1 ms	-	-	ON	

Basic Measurement Characteristics

Table 1. Value T1 through T7

Name		Time		Conditions (not affected)			
		Min.	Max.	Display	R _{dc} Meas.	Com-parator	Other
T6	READY_FOR_TRIG setup time	0.3 ms	1.1 ms	OFF	-	-	
		10.3 ms	11.2 ms	ON	OFF	OFF	List measurement display, Ls-Q measurement, 1 point measurement
		12.1 ms	13.1 ms	ON	ON	ON	List measurement display, Ls-Q measurement, 1 point measurement
		14.5 ms	15.4 ms	ON	ON	ON	List measurement display, Ls-Q measurement, 2 point measurement
		16.8 ms	17.8 ms	ON	ON	ON	List measurement display, Ls-Q measurement, 3 point measurement
		18.4 ms	19.7 ms	ON	ON	ON	Single point measurement display, Ls-Q measurement, 1 point measurement
T7	Trigger waiting time	0	∞	-	-	-	

Basic Measurement Characteristics

Details of measurement time (T4)

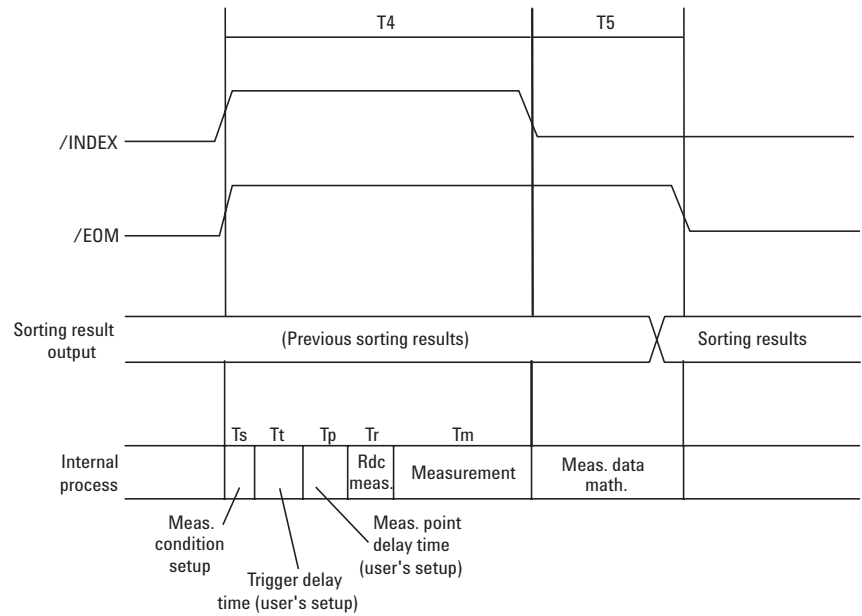


Figure 5. Measurement time T4 at single point measurement

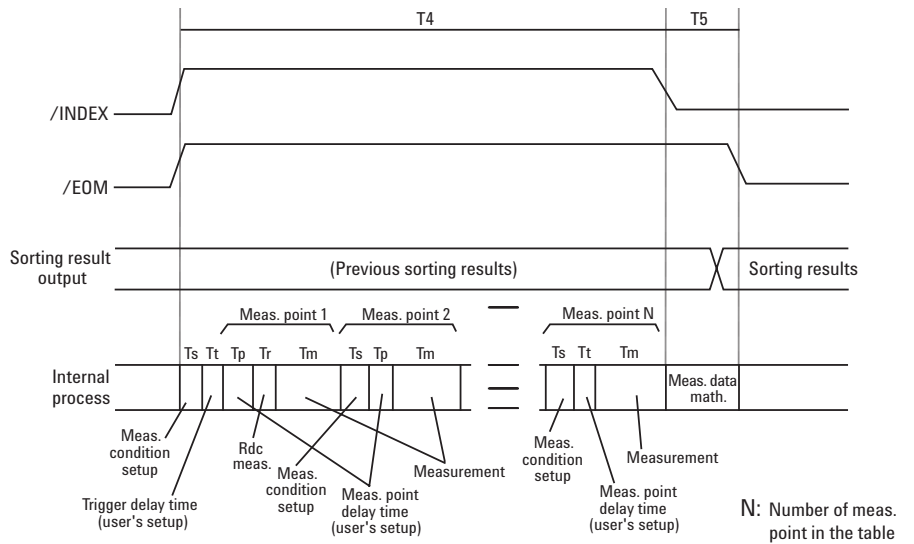


Figure 6. Measurement time T4 at list measurement

Basic Measurement Characteristics

Table 2. Value Ts, Tt, Tp, Tr and Tm (typical)

		Time [ms]
Ts	Trigger delay time	0.0 ms to 1000.0 ms ^{*1}
Tt	Rdc measurement time	2.0 ms
Tp	Measurement point delay time	0.0 ms to 1000.0 ms ^{*2}
Tr	Analog measurement time	Measurement condition setup time
		•If the test signal level has changed ^{*3} crossing -12.95 dBm or -22.95 dBm since the last measurement cycle: 300 ms •If the test signal level has changed ^{*4} without crossing -12.95 dBm or -22.95 dBm or if there is no level change in the test signal: See table below
Tm		Measurement data acquirement time
		6.9 ms ^{*5}

NOTE: Time settings Ts, Tt, Tp, Tr and Tm indicated in Figure 6 are the values taken when the instrument is making a measurement without receiving any external request (such as user actions through the front panel key, keyboard, or mouse) and without performing non-measurement tasks (such as printout and network connection handling) while the display of measurement results is off.

Table 3. Value Ts (typical)

Change in test signal frequency since last measurement cycle		Ts [ms]
No change		0
Increase	Change in frequency crossing 1.73995 GHz ^{*6}	$3.4 + 1 \times (f - fp) / 1E9^{*7}$
	Change in frequency without crossing 1.73995 GHz ^{*8}	$1 \times (f - fp) / 1E9^{*7}$
Decrease	Change in frequency crossing 1.73995 GHz ^{*9}	$1.7 + 2 \times (fp - f) / 1E9^{*7}$
	Change in frequency without crossing 1.73995 GHz ^{*10}	$2 \times (fp - f) / 1E9^{*7}$

*1. To set this, use the :TRIG:DEL command.

*2. To set this, use the :TRIG:SEQ2:DEL command.

*3. For example, this can be a level change from -15 dBm to -10 dBm.

*4. For example, this can be a level change from -20 dBm to -15 dBm.

*5. This applies when the averaging factor is 1. Add 3.9 [ms] with every increase of the averaging factor by 1.

*6. For example, this can be a frequency change from 1.7 GHz to 1.8 GHz.

*7. f: Test signal frequency [Hz] currently in effect, fp: Test signal frequency [Hz] in the last measurement.

*8. For example, this can be a frequency change from 1.8 GHz to 1.9 GHz.

*9. For example, this can be a frequency change from 1.8 GHz to 1.7 GHz.

*10. For example, this can be a frequency change from 1.7 GHz to 1.6 GHz.

Basic Measurement Characteristics

Single-point measurement (typical)

This section provides an example of measurement time calculation based on the conditions shown in the following table:

Measurement point settings	Test signal frequency	100 MHz
	Test signal level	0 dBm
	Averaging factor	2
Trigger delay time		3.0 ms
Measurement point delay time		0 ms
R _{dc} measurement		Off

NOTE: When measurement cycles are repeated at the single point, Ts is normally 0 ms because the test signal settings do not change. However, Ts may not be 0 ms if you start a new measurement cycle with the measurement conditions shown in the table above immediately after performing measurement with different conditions.

List measurement (typical)

This section provides an example of measurement time calculation for one cycle of list measurement based on the conditions shown in the following table:

Measurement condition table settings (with two measurement points defined)	Point 1	Test signal frequency	100 MHz
		Test signal level	0 dBm
		Averaging factor	2
	Point 2	Test signal frequency	800 MHz
		Test signal level	0 dBm
		Averaging factor	1
Trigger delay time		2.0 ms	
Measurement point delay time		1.0 ms	
R _{dc} measurement		On	

Basic Measurement Characteristics

For T_t , T_p , and T_r , these settings are applied regardless of the measurement point settings: $T_t = 2.0$ ms; $T_p = 1.0$ ms; $T_r = 2.0$ ms (Rdc measurement on).

- T_s and T_m at point 1

Between point 2 (previous conditions) and point 1, the test signal changes in frequency from 800 MHz to 100 MHz but does not change in level. Thus, T_s is determined as follows:

$$T_s = 2 \times (0.8E9 - 0.1E9) / 1E9 = 1.4 \text{ ms}$$

The averaging factor is 2 for the point. This determines T_m as follows:

$$T_m = 6.9 + 3.9 = 10.8 \text{ ms}$$

- T_s and T_m at point 2

Between point 1 and point 2, the test signal changes in frequency from 100 MHz to 800 MHz but does not change in level. Thus, T_s is determined as follows:

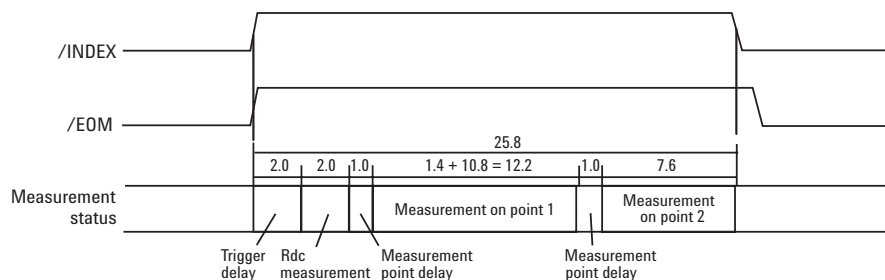
$$T_s = 1 \times (0.8E9 - 0.1E9) / 1E9 = 0.7 \text{ ms}$$

The averaging factor is 1 for the point. This determines T_m as follows:

$$T_m = 6.9 \text{ ms}$$

Thus, the measurement time is determined as follows:

$$T_s \text{ (at point 1)} + T_t + T_p + T_r + T_m \text{ (at point 1)} + T_s \text{ (at point 2)} + T_p + T_m \text{ (at point 2)} = 1.4 + 2.0 + 1.0 + 2.0 + 10.8 + 0.7 + 1.0 + 6.9 = 25.8 \text{ ms}$$



4287ape013

Basic Measurement Characteristics

Measurement data transfer time through GPIB (typical)

Conditions:

Host computer: HP9000 Series / Model 715

Display: OFF

Measurement mode: List measurement

Measurement parameters: Ls and Q

Evaluation method: Average value of 10,000 times repeated measurements

Table 4. Measurement data transfer time through GPIB (typical)

Number of measurement points	Required time for FETCH? command	
	Rdc measurement OFF	Rdc measurement ON
1	10.0 ms	10.0 ms
2	12.0 ms	13.5 ms
3	15.0 ms	15.0 ms

Switching time for setup change by GPIB (typical)

Conditions:

Host computer: HP9000 Series / Model 715

Display: OFF

Measurement mode: List measurement

Measurement parameters: Ls and Q

Evaluation method: Average value of 10,000 times repeated measurements

Table 5. Switching time for setup change by GPIB (typical)

Conditions	Time
Measurement table switching at list measurement (required time for executing :SOUR:LIST:TABL 1 command and *opc? command)	8.8 ms

Measurement Support Functions

Error correction function

Available calibration and compensation

OPEN/SHORT/LOAD Calibration	Connect OPEN, SHORT, and LOAD standards to the desired reference plane and measure each kind of calibration data. The reference plane is called calibration reference plane.
Low-Loss Capacitor Calibration	Connect the dedicated standard (Low-Loss Capacitor) to the calibration reference plane and measure the calibration data.
Port Extension Compensation (Fixture Selection)	When a device is connected to the terminal that is extended from the calibration reference plane, set the electrical length between the calibration plane and the device contact. Select a model number of the registered test fixtures in the 4287A's softkey menu or enter the electrical length for user's test fixture.
OPEN/SHORT Compensation	When a device is connected to the terminal that is extended from the calibration reference plane, make OPEN and SHORT states at the device contact and measure each kind of compensation data.

Calibration/compensation data measurement point

Data Measurement Points	Same as measurement points which is set in the measurement point setup display. (Changing the frequency or oscillator level settings after the calibration or compensation makes the calibration and compensation data invalid.)
-------------------------	--

Measurement Support Functions

DC resistance (R_{dc}) measurement

Measurement range	0.1 Ω to 100 Ω
Measurement resolution	1 mΩ
Test signal level	1 mA (maximum)
Error correction	OPEN/SHORT/LOAD Calibration, OPEN/SHORT Compensation. (Changing the frequency or oscillator level settings after the calibration or compensation makes the calibration and compensation data invalid.)
Measurement uncertainty	$\pm \left[1 + \left(\frac{0.05}{R_{dut}} + \frac{R_{dut}}{10000} \right) \times 100 \right] [\%]$ <p>R_{dut}: DC resistance measurement value [Ω] (Within ±5 °C from the calibration temperature. Measurement accuracy applies when the calibration is performed at 23 °C ± 5 °C. When the calibration is performed beyond 23 °C ± 5 °C, the measurement accuracy decreases to half that described.)</p>

Trigger function

Trigger mode	Internal, External (external trigger input connector or handler interface), Bus (GPIB or LAN), Manual (front key)
--------------	---

Averaging function

Setting range	1 to 100 (integer)
---------------	--------------------

Display

Type/Size	Color LCD, 8.4 inch
Resolution	640 dots × 480 lines

List measurement function

Number of measurement points	32 points for each table (maximum)
Number of tables	8 tables

Test signal level monitor function

Uncertainty of monitor value	$\pm \left[30 + \left(10^{\frac{A}{20}} - 1 \right) \times 100 + B \right] [\%](SPC)$ <p>A: Uncertainty of oscillator level [dB] B: Uncertainty of impedance measurement [%]</p>
------------------------------	---

Measurement Support Functions

Mass storage

Built-in flexible disk drive	3.5 inch, 720 KByte or 1.44 KByte, DOS format
Non-volatile memory size	
Option 4287A-010	2 GByte (minimum)
Option 4278A-011	30 MByte (minimum)

Interface

GPIB

Standard conformity	IEEE 488.1-1987, IEEE 488.2-1987
Available functions (function code)	SH1, AH1, T6, TE0, L4, LE0, SR1, RL0, PP0, DT1, DC1, C0, E2
Numerical data transfer format	ASCII
Protocol	IEEE 488.2-1987

Handler interface

Connector type	36 pin D-SUB connector
Signal type	Negative logic, opto-isolated, open collector output
Output signal	<ul style="list-style-type: none">• BIN sort result (BIN 1 to BIN 13, OUT_OF_GOOD_BINS)• DC resistance pass/fail (DCR_OUT_OF_RANGE)• Overload (OVL D)• Alarm (ALARM)• End of analog measurement (INDEX)• End of measurement (EOM)• Ready for trigger (READY_FOR_TRIG)
Input signal	<ul style="list-style-type: none">• External trigger (EXT_TRIG)• Key lock (KEY_LOCK)
Pin location	See the following figure. Refer to Programming Manual for the definition of each pin.

LAN interface

Standard conformity	10 Base-T or 100 Base-TX (automatically switched), Ethernet, RJ45 connector
Protocol	TCP/IP
Functions	Telnet, FTP

Measurement Support Functions

Measurement terminal (at test head)

Connector type	3.5-mm (female) connector (can be converted to 7-mm connector using the 3.5 mm-7 mm adapter)
----------------	---

Rear panel connectors

External reference signal input connector

Frequency	10 MHz \pm 10 ppm (SPC)
Level	\geq 0 dBm (SPC)
Input impedance	50 Ω (nominal)
Connector type	BNC (female)

Internal reference signal output connector

Frequency	10 MHz (nominal)
Uncertainty of frequency	Same as frequency uncertainty described in "Source Characteristics" on page 3
Level	+2 dBm (nominal)
Output impedance	50 Ω (nominal)
Connector type	BNC (female)

External trigger input connector

Level	LOW threshold voltage: 0.5 V HIGH threshold voltage: 2.1 V Input level range: 0 to +5 V
Pulse width (Tp)	\geq 2 μ sec (SPC) See Figure 8 for definition of Tp
Polarity	Positive or Negative (selective)
Connector type	BNC (female)

Measurement Support Functions

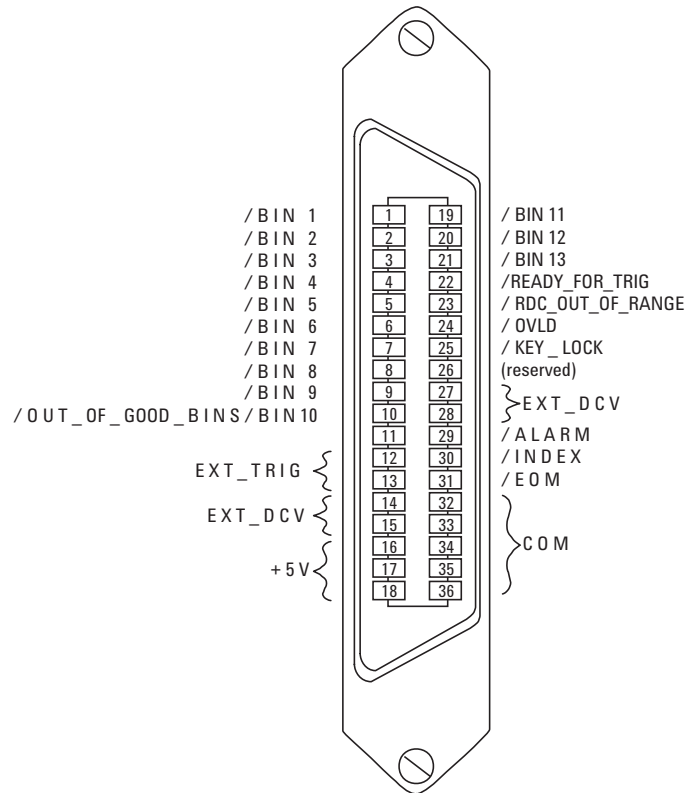


Figure 7. Pin location of handler interface

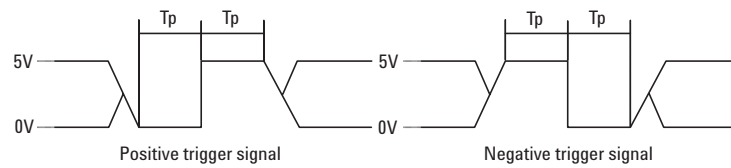


Figure 8. Definition of pulse width (T_p)

General Characteristics

Environment conditions

Operating condition





Temperature	5 °C to 40 °C
Humidity (at wet bulb temperature ≤ 29 °C, without condensation)	
Flexible disk drive non-operating condition	20% to 80% RH
Flexible disk drive operating condition	15% to 90% RH
Altitude	0 to 2,000 m (0 to 6,561 feet)
Vibration	0.5 G maximum, 5 Hz to 500 Hz
Warmup time	30 minutes

Non-operating storage condition

Temperature	-20 °C to +60 °C
Humidity (at wet bulb temperature ≤ 45 °C, without condensation)	15% to 90% RH
Altitude	0 to 4,572 m (0 to 15,000 feet)
Vibration	1 G maximum, 5 Hz to 500 Hz

General Characteristics

Other specifications

<p>EMC</p>  ISM 1-A	<p>European Council Directive 89/336/EEC IEC 61326-1:1997+A1 CISPR 11:1990 / EN 55011:1991 Group 1, Class A IEC 61000-4-2:1995 / EN 61000-4-2:1995 4 kV CD / 8 kV AD IEC 61000-4-3:1995 / EN 61000-4-3:1996 3 V/m, 27-1000 MHz, 80% AM IEC 61000-4-4:1995 / EN 61000-4-4:1995 1 kV power / 0.5 kV Signal IEC 61000-4-5:1995 / EN 61000-4-5:1995 0.5 kV Normal / 1 kV Common IEC 61000-4-6:1996 / EN 61000-4-6:1996 3 V, 0.15-80 MHz, 80% AM IEC 61000-4-11:1994 / EN 61000-4-11:1994 100% 1cycle</p> <p>NO TE-1: When tested at 3 V/m according to EN 61000-4-3:1996, the measurement accuracy will be within specifications over the full immunity test frequency range of 27 to 1000 MHz except when the analyzer frequency is identical to the transmitted interference signal test frequency.</p> <p>NOTE-2: When tested at 3 V according to EN 61000-4-6:1996, the measurement accuracy will be within specifications over the full immunity test frequency range of 0.15 to 80 MHz except when the analyzer frequency is identical to the transmitted interference signal test frequency.</p> <p> N10149</p> <p>AS/NZS 2064.1/2 Group 1, Class A</p>
<p>Safety</p>  ISM 1-A	<p>European Council Directive 73/23/EEC IEC 61010-1:1990+A1+A2 / EN 61010-1:1993+A2 INSTALLATION CATEGORY II, POLLUTION DEGREE 2 INDOOR USE IEC60825-1:1994 CLASS 1 LED PRODUCT</p> <p> LR95111C</p> <p>CAN/CSA C22.2 No. 1010.1-92</p>
<p>Power requirement</p>	<p>90 V to 132 V, or 198 V to 264 V (automatically switched), 47 Hz to 63 Hz, 350 VA max.</p>
<p>Weight</p>	
<p>Main unit</p>	<p>16 kg (SPC)</p>
<p>Test head</p>	<p>0.3 kg (SPC)</p>
<p>Dimensions</p>	
<p>Main unit</p>	<p>See Figure 9 through Figure 11</p>
<p>Test head</p>	<p>See Figure 12</p>

General Characteristics

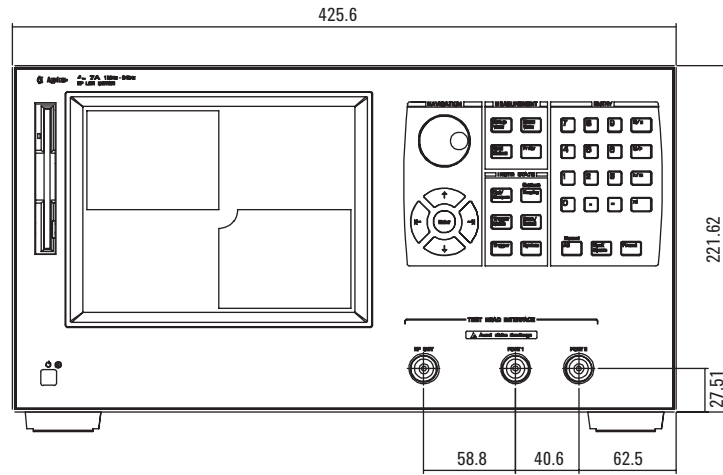


Figure 9. Main unit dimensions (front view, in millimeters, typical)

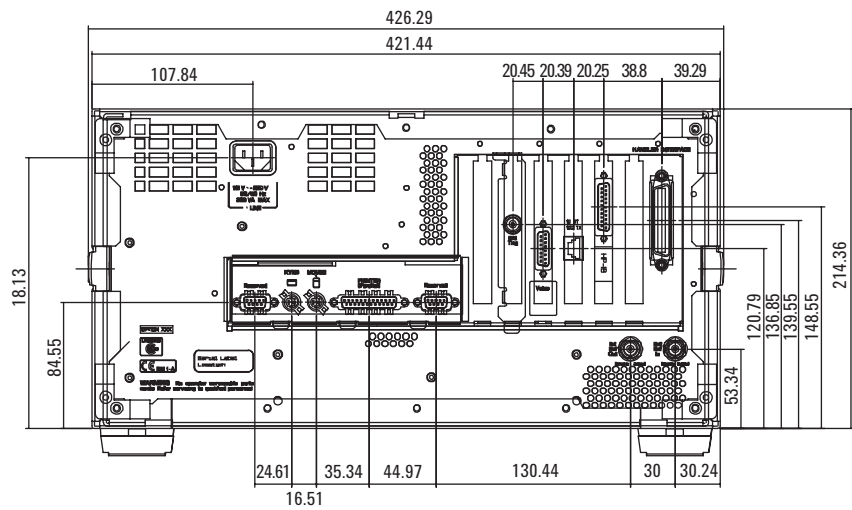


Figure 10. Main unit dimensions (rear view, in millimeters, typical)

General Characteristics

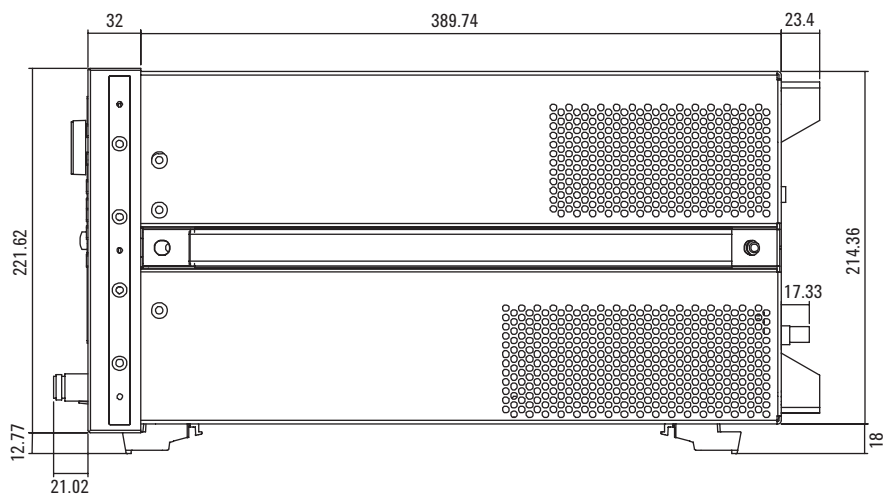


Figure 11. Main unit dimensions (side view, in millimeters, typical)

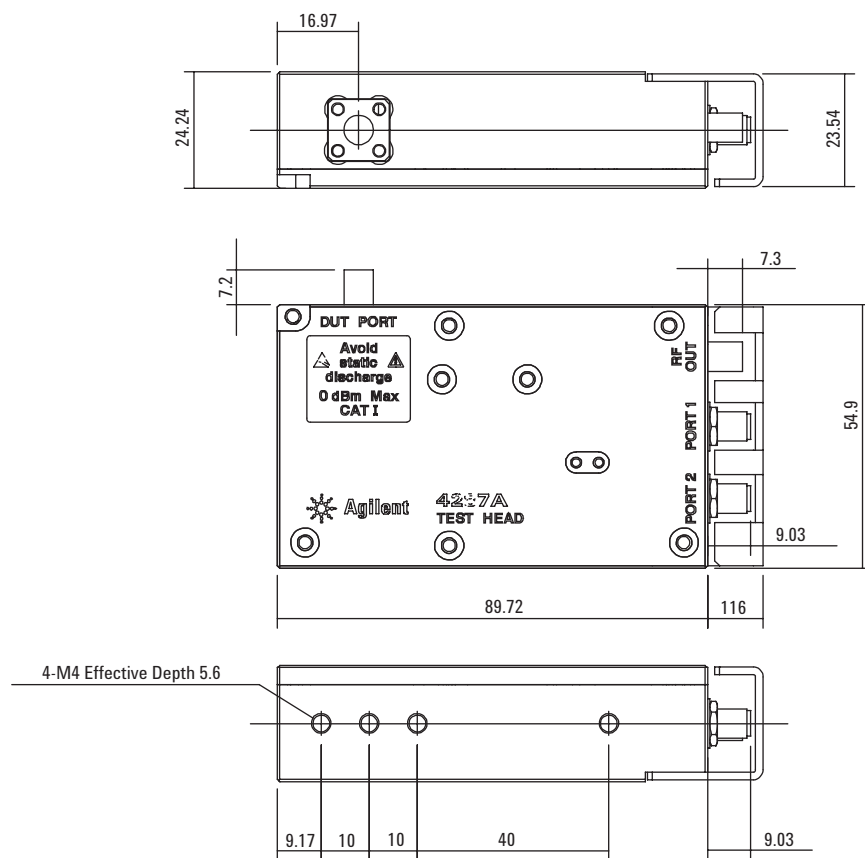


Figure 12. Test head dimensions (in millimeters, typical)

General Characteristics

Furnished accessories

Order model/option number	Description	Qty
Agilent 4287A	Agilent 4287A RF LCR meter (main unit)	1
	Test head (with 1 m cable)	1
	N (m)-SMA (f) adapter	3
	Wrench (for 3.5 mm/SMA connector)	1

Options

4287A-004	Add working standard set	1
4287A-020	Add test fixture extension cable set	1
4287A-700	16195B calibration kit	1
4287A-720	3.5 mm - 7 mm coaxial adapter	1
4287A-810	Add keyboard	1
4287A-820	Add mouse	1
4287A-ABJ	Japan-Japanese localization	1
4287A-ABA	U.S.-English localization	1
4287A-0BW	Add service manual	1
4287A-1CM	Rack flange kit	1
4287A-1CN	Front handle kit	1
4287A-1CP	Handle/rack mount kit	1

The number indicated by "x" in the part number of each manual or sample program disk, 0 for the first edition, is incremented by 1 each time a revision is made. The latest edition comes with the product.

Agilent 16195B 7-mm calibration kit, 16195B 7-mm calibration kit, 3.5 mm - 7 mm adapter, a keyboard, a mouse, a power cable, and an operation manual are not furnished as standard.

Option 4287A-004 Working Standard Set Characteristics

Furnished devices

Short device	1.0 × 0.5 mm (part number: 16191-29005) 1.6 × 0.8 mm (part number: 16191-29006) 2.0 × 1.25 mm (part number: 16196-29007) 3.2 × 1.6 mm (part number: 16196-29008)
Resistor	1.0 × 0.5 mm (part number: 5182-0433) 1.6 × 0.8 mm (part number: 5182-0434) 2.0 × 1.25 mm (part number: 5182-0435) 3.2 × 1.6 mm (part number: 5182-0436)

DC resistance

Resistor	51 Ω ± 0.5%
----------	-------------

Agilent Technologies' Test and Measurement Support, Services, and Assistance

Agilent Technologies aims to maximize the value you receive, while minimizing your risk and problems. We strive to ensure that you get the test and measurement capabilities you paid for and obtain the support you need. Our extensive support resources and services can help you choose the right Agilent products for your applications and apply them successfully. Every instrument and system we sell has a global warranty. Support is available for at least five years beyond the production life of the product. Two concepts underlie Agilent's overall support policy: "Our Promise" and "Your Advantage."

Our Promise

Our Promise means your Agilent test and measurement equipment will meet its advertised performance and functionality. When you are choosing new equipment, we will help you with product information, including realistic performance specifications and practical recommendations from experienced test engineers. When you use Agilent equipment, we can verify that it works properly, help with product operation, and provide basic measurement assistance for the use of specified capabilities, at no extra cost upon request. Many self-help tools are available.

Your Advantage

Your Advantage means that Agilent offers a wide range of additional expert test and measurement services, which you can purchase according to your unique technical and business needs. Solve problems efficiently and gain a competitive edge by contracting with us for calibration, extra-cost upgrades, out-of-warranty repairs, and onsite education and training, as well as design, system integration, project management, and other professional engineering services. Experienced Agilent engineers and technicians worldwide can help you maximize your productivity, optimize the return on investment of your Agilent instruments and systems, and obtain dependable measurement accuracy for the life of those products.

Agilent T&M Software and Connectivity

Agilent's Test and Measurement software and connectivity products, solutions and developer network allows you to take time out of connecting your instruments to your computer with tools based on PC standards, so you can focus on your tasks, not on your connections. Visit

www.agilent.com/find/connectivity

for more information.



Agilent Email Updates

www.agilent.com/find/emailupdates

Get the latest information on the products and applications you select.

By internet, phone, or fax, get assistance with all your test & measurement needs

Phone or Fax

United States:
(tel) 800 452 4844

Canada:
(tel) 877 894 4414
(fax) 905 282 6495

China:
(tel) 800 810 0189
(fax) 800 820 2816

Europe:
(tel) (31 20) 547 2323
(fax) (31 20) 547 2390

Japan:
(tel) (81) 426 56 7832
(fax) (81) 426 56 7840

Korea:

(tel) (82 2) 2004 5004
(fax) (82 2) 2004 5115

Latin America:

(tel) (305) 269 7500
(fax) (305) 269 7599

Taiwan:

(tel) 0800 047 866
(fax) 0800 286 331

Other Asia Pacific

Countries:
(tel) (65) 6375 8100
(fax) (65) 6836 0252

Email:
tm_asia@agilent.com

Online Assistance:

www.agilent.com/find/assist

Product specifications and descriptions in this document subject to change without notice.

© 2003 Agilent Technologies, Inc.
Printed in USA, May 6, 2003
5968-5758E



Agilent Technologies